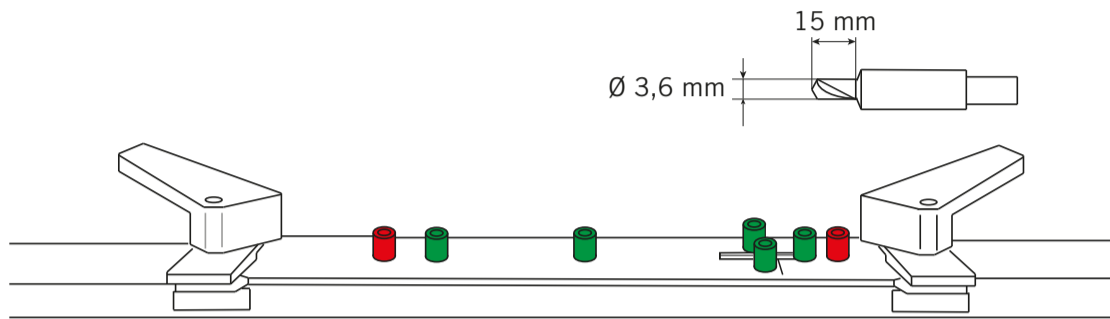


# SMP MOUNTING / ADDITIONAL DRILL HOLE

1. Use SNS JIG - green marked holes only!



2. Check mark on Heel Plate for correct position.

**BACK SIDE**



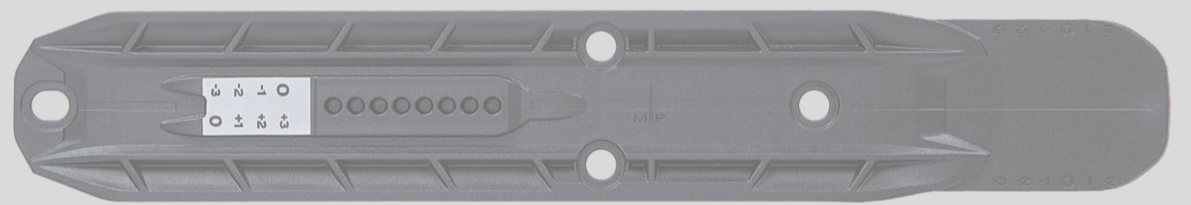
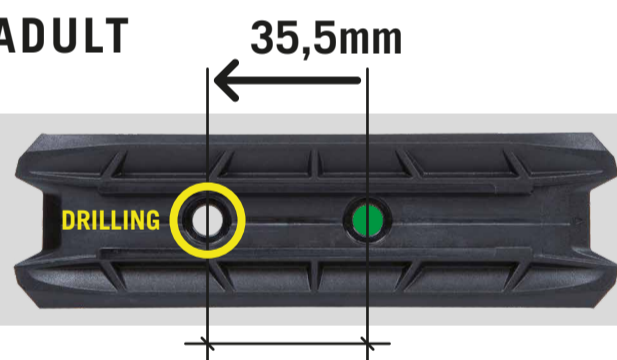
**TOP SIDE**



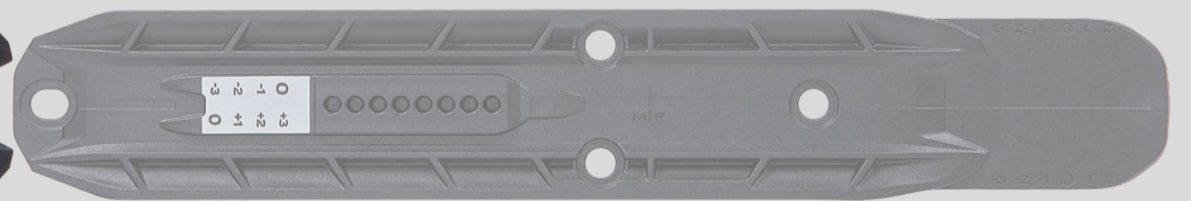
3. Mark new position with heel plate.

4. Drill holes with SNS JIG.

**ADULT**



**JUNIOR**



## ATTENTION

Use screw **PT 6x12** (S92117) for marked holes for adult skis with core height below **15mm**.

